

STAX 6MM

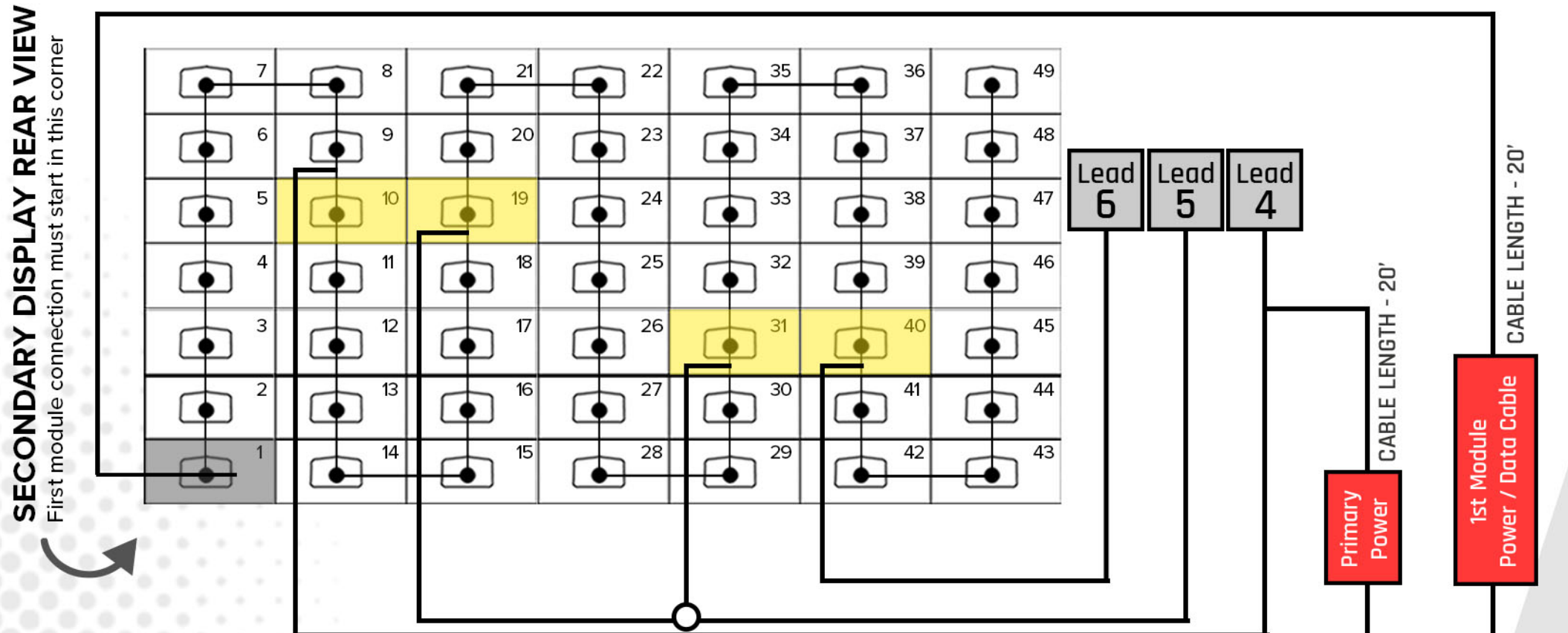
Wire modules in order as shown on the diagram

Maximum Amperage per lead: 16 Amps @120V

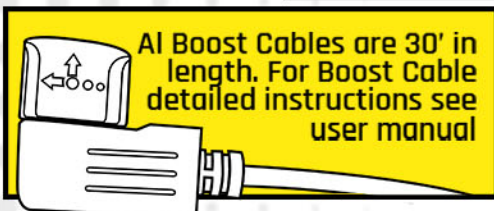
STAX Boost Power Continuation Cable found in (Yellow Labeled bag). Required after each 12th consecutive module per display face.

STAX Controller Cable Kit found in (Red Labeled bag). One cable kit per display face. Includes one Primary Controller Power Cable and one 1st Module Power/Data Cable

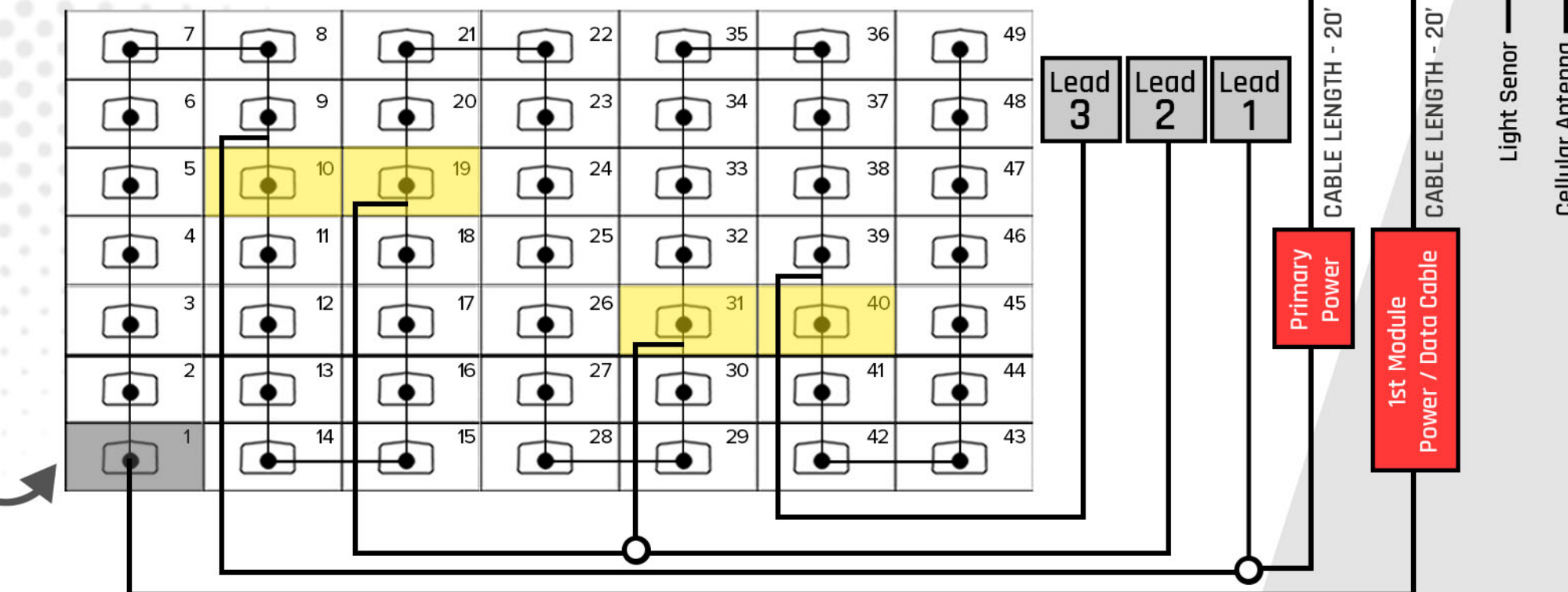
Multiple leads can be connected together and share a breaker. Multiple circuits may share the same neutrals. Please follow local NEC Codes & regulations



SECONDARY DISPLAY REAR VIEW
First module connection must start in this corner



PRIMARY DISPLAY REAR VIEW
First module connection must start in this corner

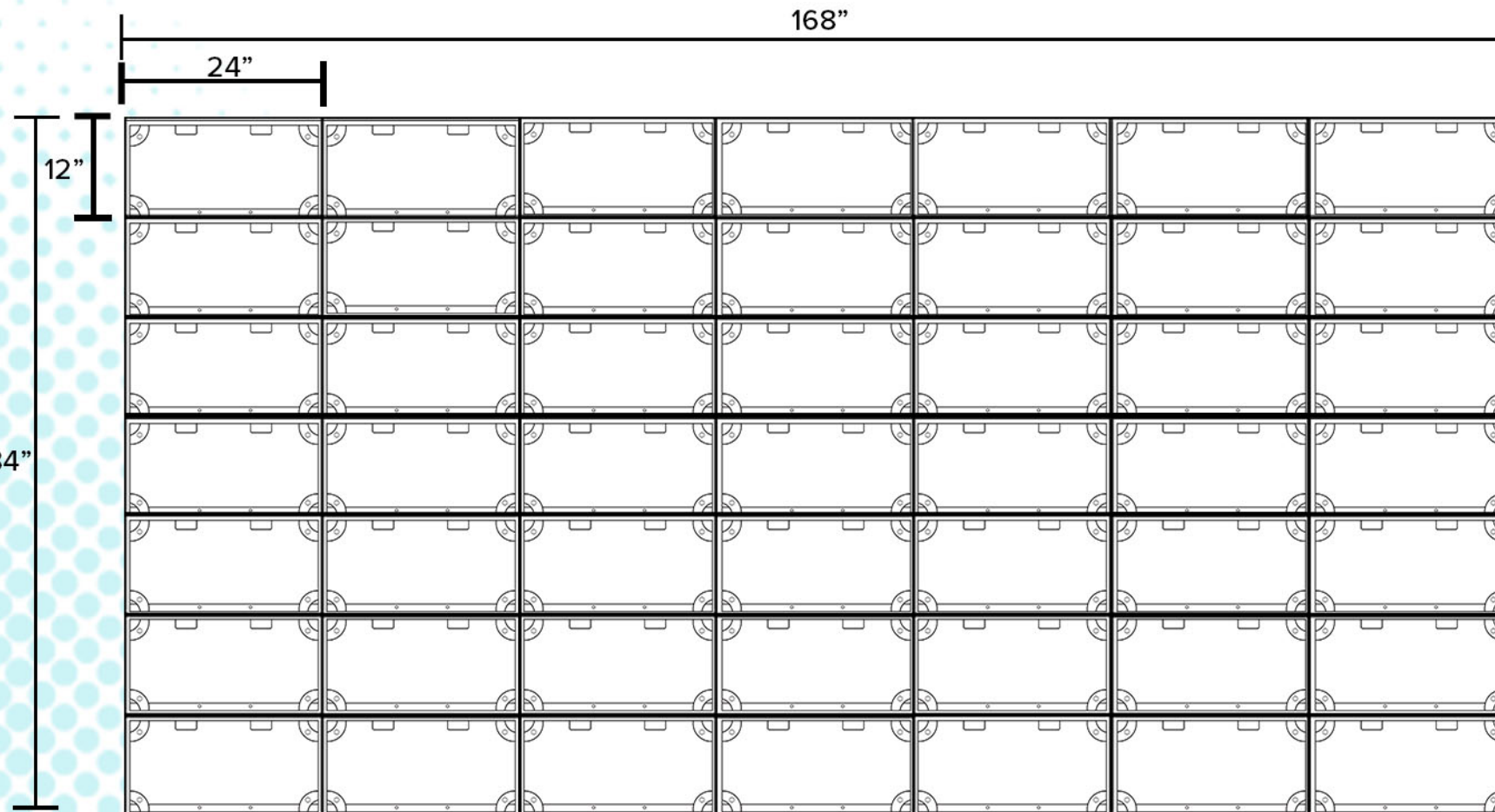


Primary Display

Lead	Max Watts	Avg Watts	Amps @120V
1	1516	811	12.6
2	1676	897	14.0
3	798	798	6.7
Total	3990	2506	33.3

Secondary Display

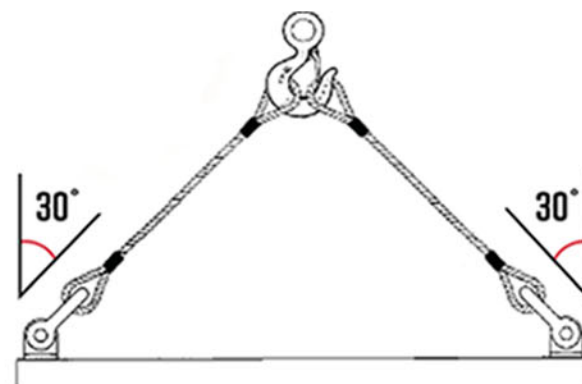
Lead	Max Watts	Avg Watts	Amps @120V
4	1516	811	12.6
5	1676	897	14.0
6	798	798	6.7
Total	3990	2506	33.3



PRIMARY DISPLAY REAR VIEW

SHACKLE ATTACHMENT

The shackle cables should connect to the lifting pins at an angle of 30 degrees or less to prevent damage to the cabinet frame. Spreader bar should be used when three or more lifting pins are required per face.



Must lift final assembled sign with a minimum of two lifting points. 330 maximum lbs per lifting pin.

Parts List	Single Face	Double Face
Module	49	98
Controller	1	1
Controller Cable Kit	1	2
Boost Power Cable	4	8

AND

Option 1: Single Frame Assembly	Single Face	Double Face
1' x 2' Frame	49	98
1' x 2' Frame Door (Optional)	49	98

OR

Option 2: Mixed Frame Assembly	Single Face	Double Face
1' x 2' Frame	13	26
1' x 2' Frame Door (Optional)	13	26
2' x 4' Frame	9	18
2' x 4' Frame Door (Optional)	18	36

Display Weight	Maximum lbs	Maximum lbs per lifting pin	Number of Pins Per Face
Single Face	793.45	330	2
Double Face	1586.9	N/A	N/A



CAUTION