

STAX

Wire modules in order as shown on the diagram

Maximum Amperage per lead: 16 Amps @120V

STAX Boost Power Continuation Cable found in (Yellow Labeled bag). Required after each 12th consecutive module per display face.

STAX Controller Cable Kit found in (Red Labeled bag). One cable kit per display face. Includes one Primary Controller Power Cable and one 1st Module Power/Data Cable

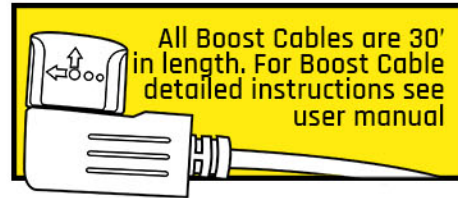
Multiple leads can be connected together and share a breaker. Multiple circuits may share the same neutrals. Please follow local NEC Codes & regulations

Primary Display

| Lead | Max Watts | Avg Watts | Amps @120V |
|-------|-----------|-----------|------------|
| 1 | 1835 | 982 | 15.3 |
| 2 | 782 | 427 | 6.7 |
| 3 | | | |
| Total | 2633 | 1409 | 21.9 |

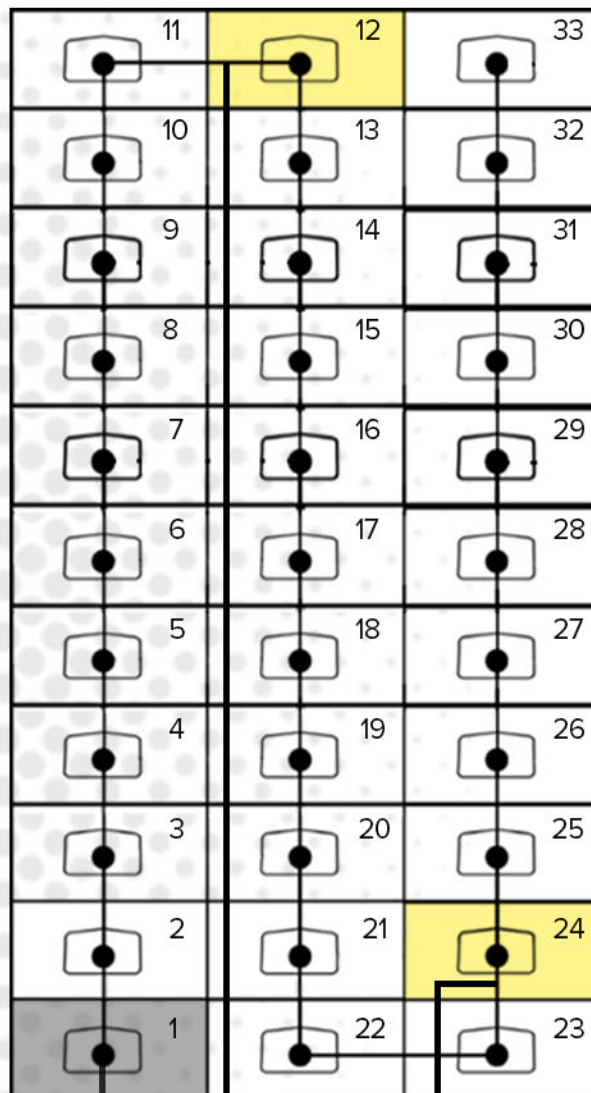
Secondary Display

| Lead | Max Watts | Avg Watts | Amps @120V |
|-------|-----------|-----------|------------|
| 4 | 1835 | 982 | 15.3 |
| 5 | 782 | 427 | 6.7 |
| 6 | | | |
| Total | 2633 | 1409 | 21.9 |



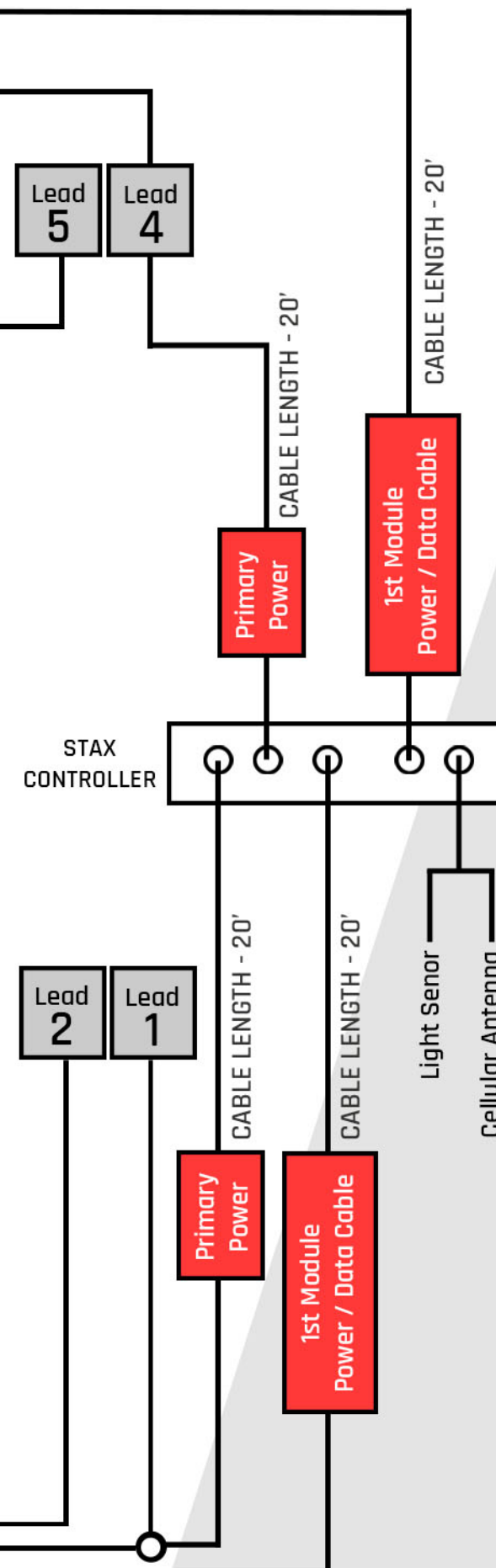
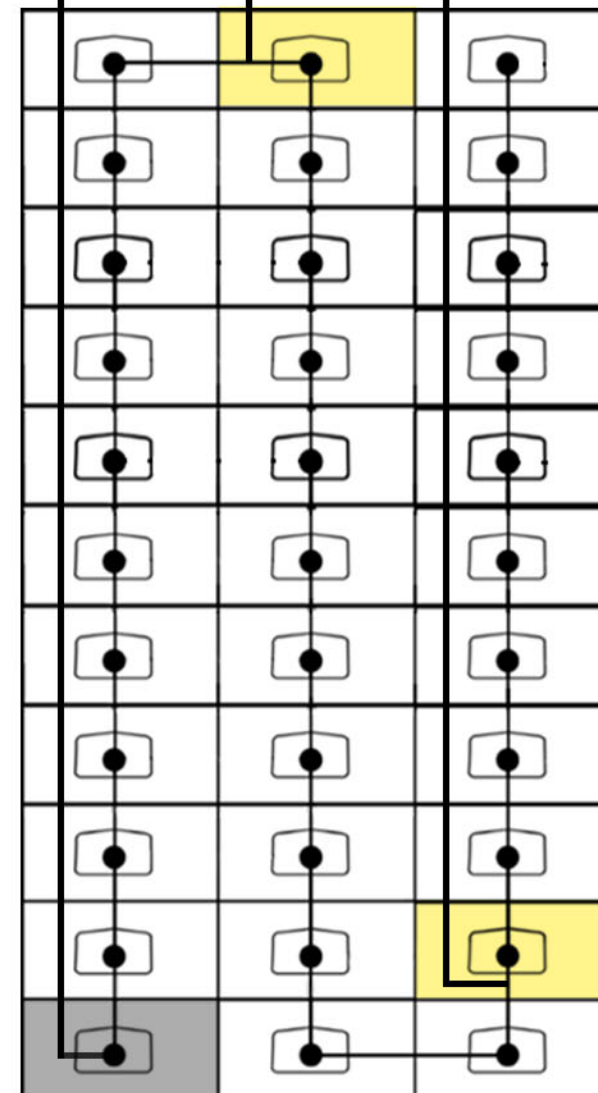
PRIMARY DISPLAY REAR VIEW

First module connection must start in this corner

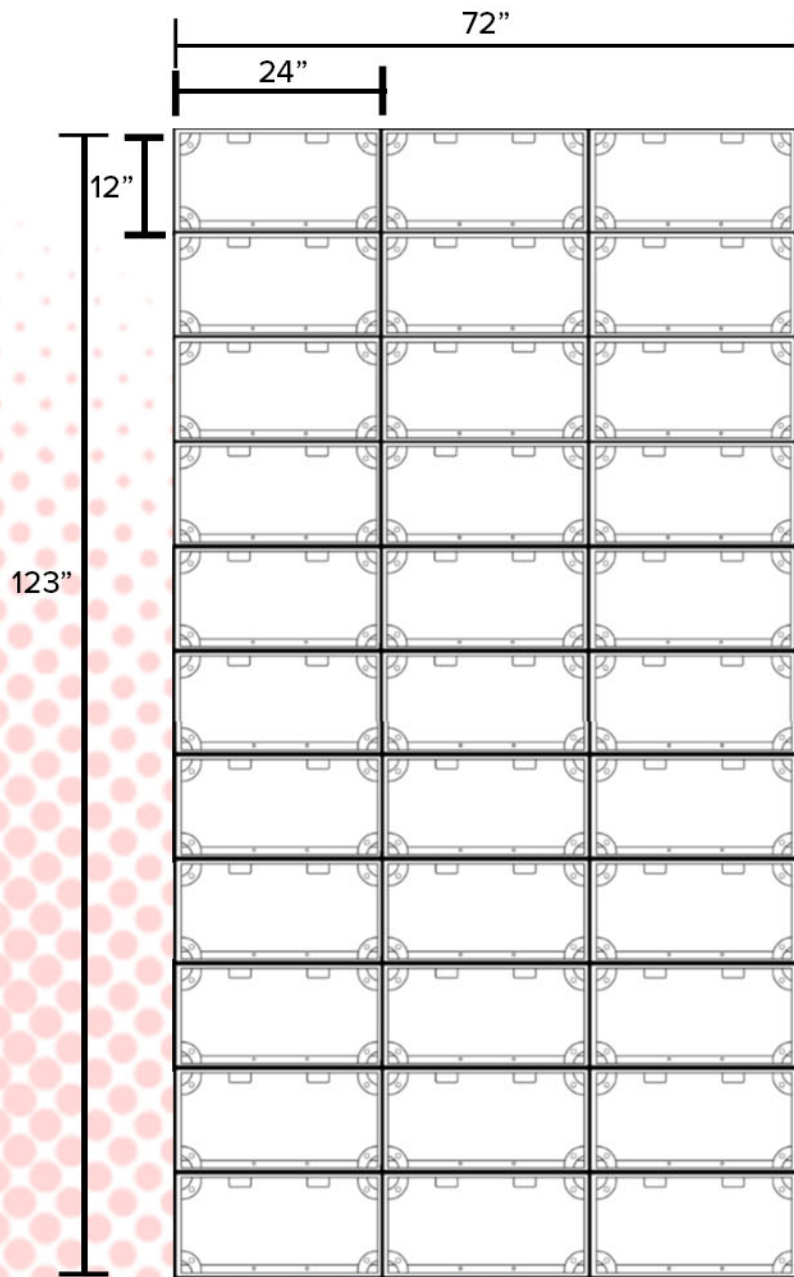


SECONDARY DISPLAY REAR VIEW

First module connection must start in this corner



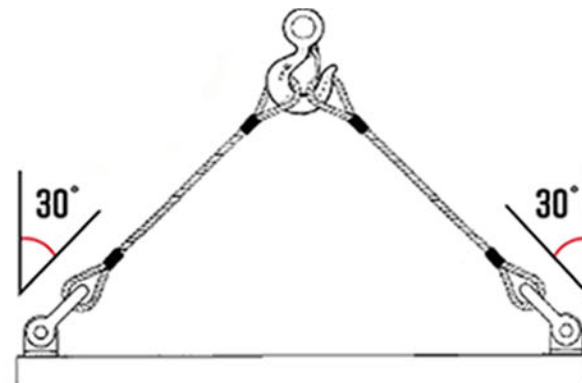
Must lift final assembled sign with a minimum of two lifting points. 330 maximum lbs per lifting pin.



PRIMARY DISPLAY REAR VIEW

SHACKLE ATTACHMENT

The shackle cables should connect to the lifting pins at an angle of 30 degrees or less to prevent damage to the cabinet frame. Spreader bar should be used when three or more lifting pins are required per face.



| Parts List | Single Face | Double Face |
|----------------------|-------------|-------------|
| Module | 33 | 66 |
| Controller | 1 | 1 |
| Controller Cable Kit | 1 | 2 |
| Boost Power Cable | 2 | 4 |

AND

| Option 1: Single Frame Assembly | Single Face | Double Face |
|---------------------------------|-------------|-------------|
| 1' x 2' Frame | 33 | 66 |
| 1' x 2' Frame Door (Optional) | 33 | 66 |

OR

| Option 2: Mixed Frame Assembly | Single Face | Double Face |
|--------------------------------|-------------|-------------|
| 1' x 2' Frame | 1 | 2 |
| 1' x 2' Frame Door (Optional) | 1 | 2 |
| 2' x 4' Frame | 8 | 16 |
| 2' x 4' Frame Door (Optional) | 16 | 32 |

| Display Weight | Maximum lbs | Maximum lbs per lifting pin | Number of Pins Per Face |
|----------------|-------------|-----------------------------|-------------------------|
| Single Face | 535.05 | 330 | 2 |
| Double Face | 1070.1 | N/A | N/A |



CAUTION